

PTV

Programmable Token Vendor



USES FOR TOKENS

- **Batting Cage Tokens**
- **Carnival Ride Tokens**
- **Game Tokens**
- **Bus/Transportation Tokens**
- **Golf Ball Tokens**
- **Admission Tokens**
- **Beer Tokens**
- **Cigarette Tokens**



The Hamilton PTV Programmable Token Vendor is a manually operated token dispenser. Tokens are dispensed by an operator using the supplied programmable keypad or through an available software interface.

Security is provided through the use of a hinged locking top cover and non-resettable coin counter. The keypad is also provided with a locking on-off switch for managed access control. The keypad comes with a 10 foot cable for hand held use or it can be permanently mounted near a cash register.

The sturdy steel housing is equipped with a display panel frame. Stock panels are available as well as custom designed graphics.

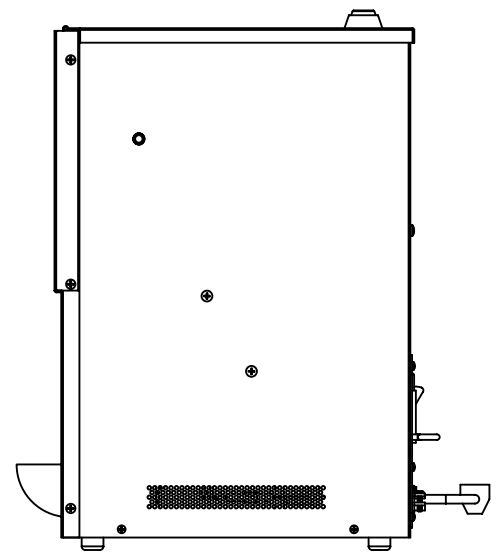
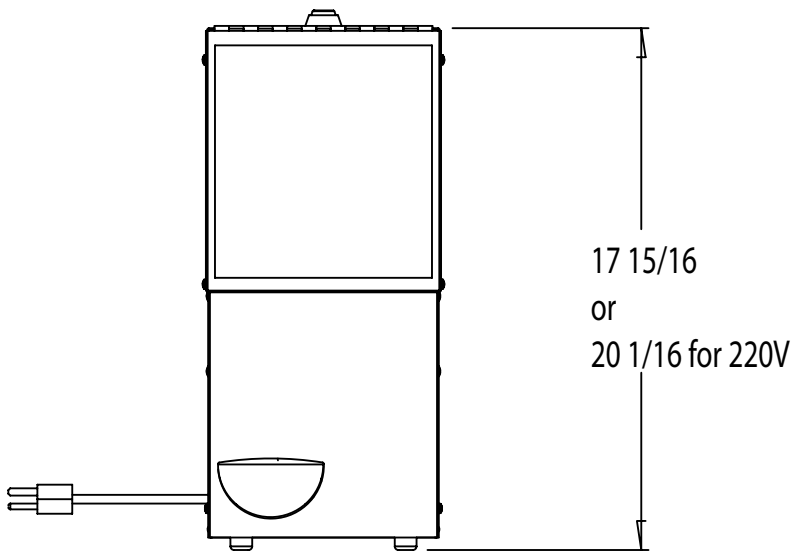
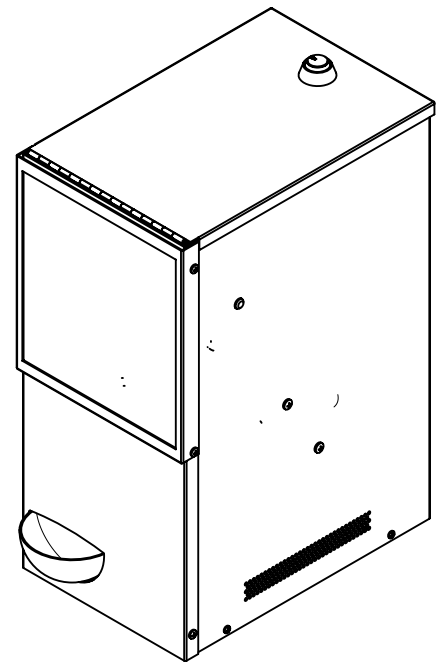
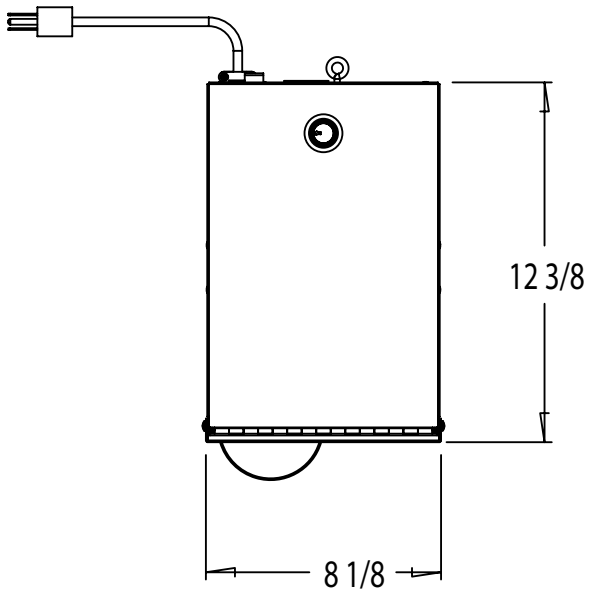
Token capacity is from 6000 to 10000 tokens depending upon the size of the token.

To dispense the required number of tokens, the operator simply presses any combination of numbers on the keypad until the desired total is displayed. The tokens are then dispensed by pressing the "VEND" key. If a mistake is made, the operator can press the "RESET" key to erase the error and then enter the correct amount.

The PTV Programmable Token Vendor has been manufactured for over 15 years and is used by operators throughout the world.

Hamilton Manufacturing Corp.

1026 Hamilton Dr., Holland, OH 43528 • Phone: 419-867-4858/888-723-4858 • Fax: 419-867-4850 • www.hamiltonmfg.com



Features

- 16 Gauge Steel
- Power: 120VAC
- Maximum Capacity: 6000-10000 (Depending on Token Size)
- Weight: 46lbs
- Cabinet Dimensions: 8 1/8"W x 17 15/16"H x 12 3/8"D
8 1/8"W x 20 1/16"H x 12 3/8"D (220v model)

Options

- Input button options
- 220VAC/50Hz transformer
- Resettable internal counter
- PC interface for integration with POS systems

For more information contact your local Hamilton Distributor.

Hamilton Manufacturing Corp.

1026 Hamilton Dr., Holland, OH 43528 • Phone: 419-867-4858/888-723-4858 • Fax: 419-867-4850 • www.hamiltonmfg.com